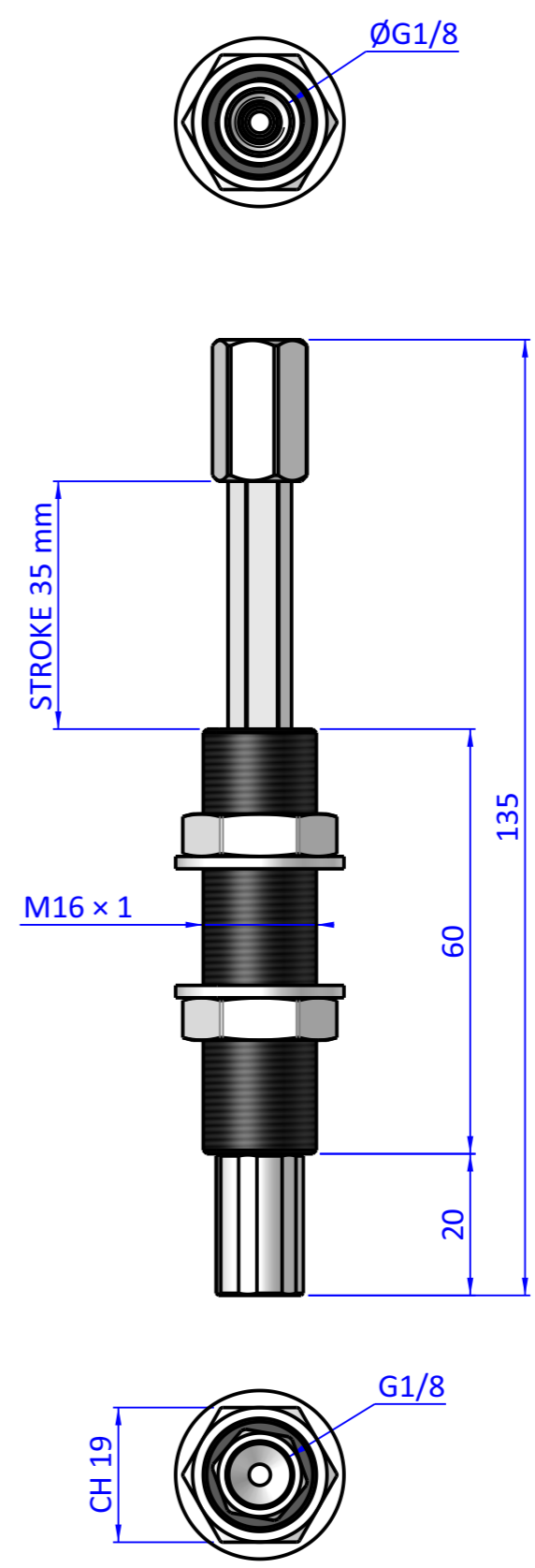
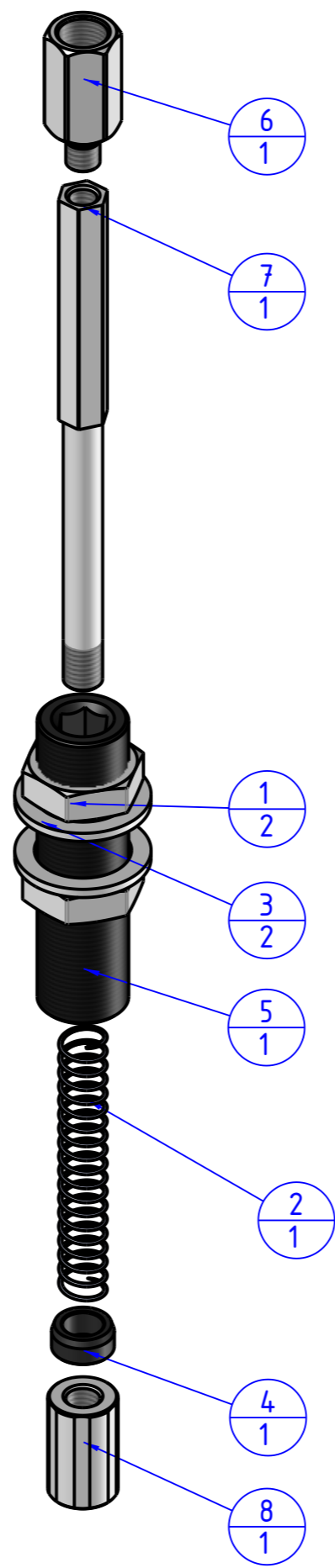



THE PROPERTY OF THE DRAWING IS ESTABLISHED BY LAW. IT IS FORBIDDEN TO PRODUCE OR SHOW IT TO THIRD PARTY WITHOUT A WRITTEN AGREEMENT.

Item	Name	Q.ty
1	D.M16X1	2
2	M.8.5X48.50.1	1
3	R.16.SCH	2
4	VSN.1420.3	1
5	VSNG.1635.2.1	1
6	VSN.14.2	1
7	VSN.1435.4	1
8	VSN.14.1	1



Format A3
UNI 936-76

 FPS SERVICES AUTOMATION		DESIGNED FROM		REVIEW
		FPS Automation		A
GENERAL TOLERANCE		DATE	WEIGHT	
UNI - ISO 2768		31/03/2026	0,050kg	
CLASSE f		CODE		
DESCRIPTION		CA.SDNG.1635		
		CA.SDNG.1635		